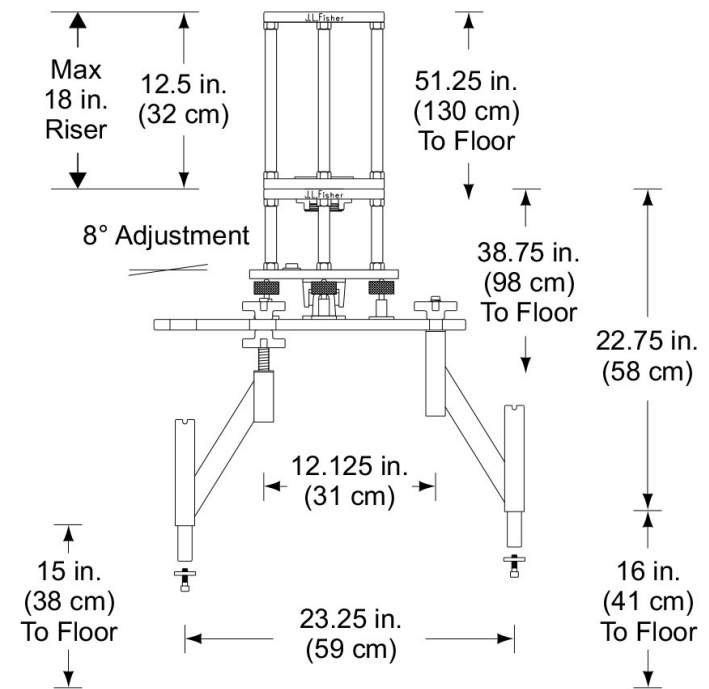
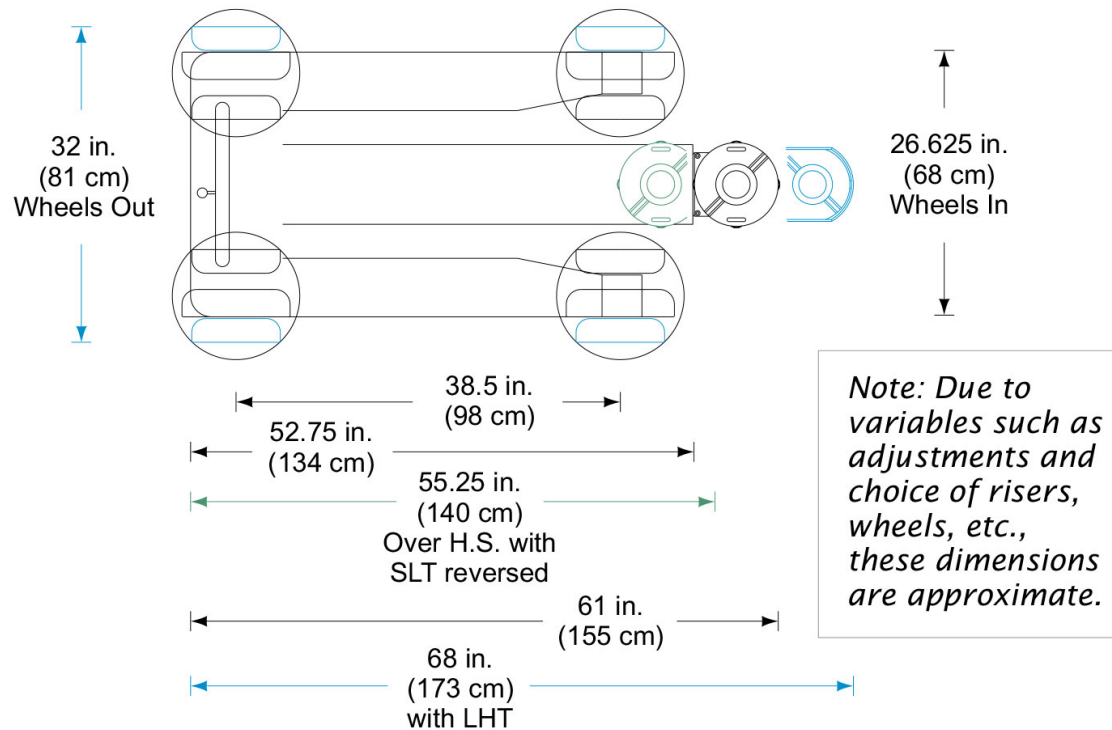


DIMENSIONS

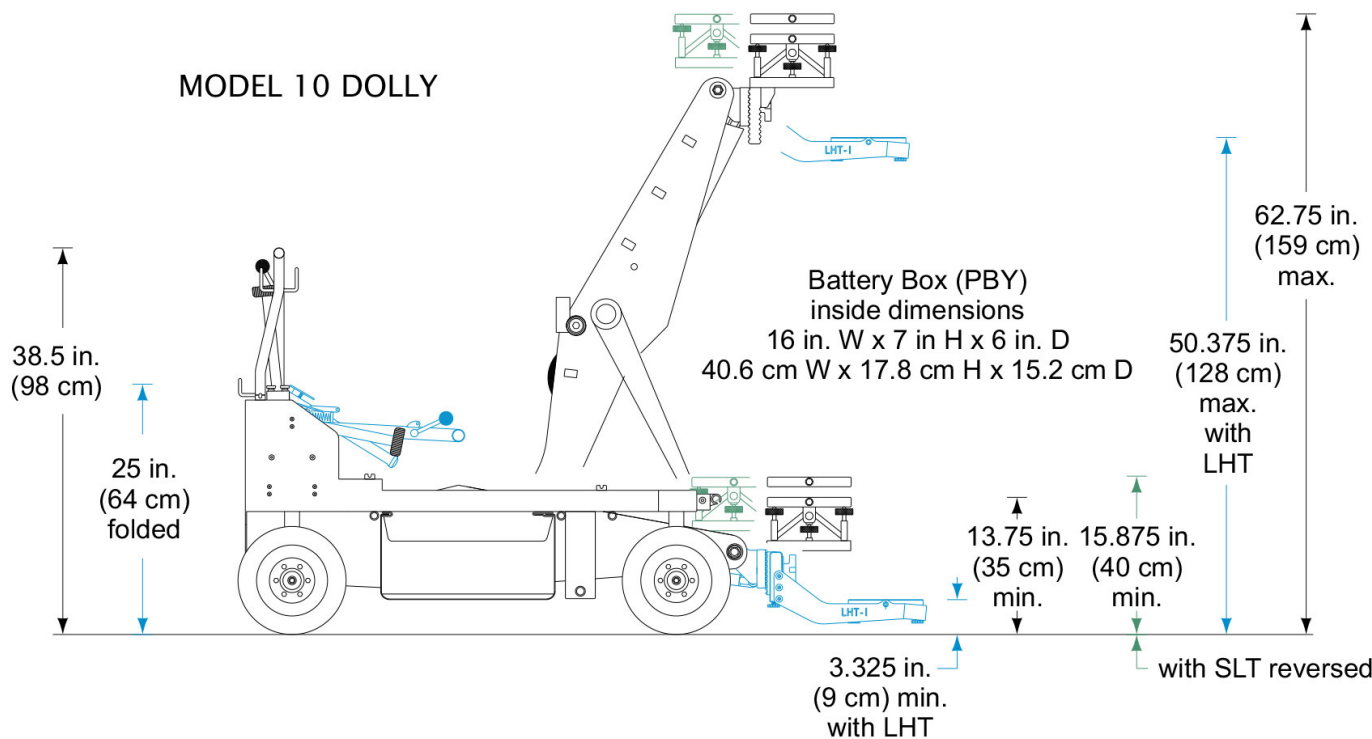


CENTER MOUNT (CM)

The Center Mount (CM), supports jib arms, lightweight camera booms and counterbalanced camera cranes. The Center Mount has thumbscrews for four-way leveling adjustment and a leveling indicator. Easily installed, the Center Mount has a standard Mitchell mount and comes with a heavy duty 12-inch Riser (RJ12).

The maximum gross load capacity is 1200 pounds (544 kg). Center Mount is not for supporting personnel or personnel carrying cranes.

MODEL 10 DOLLY



FOLDING CONTROLS