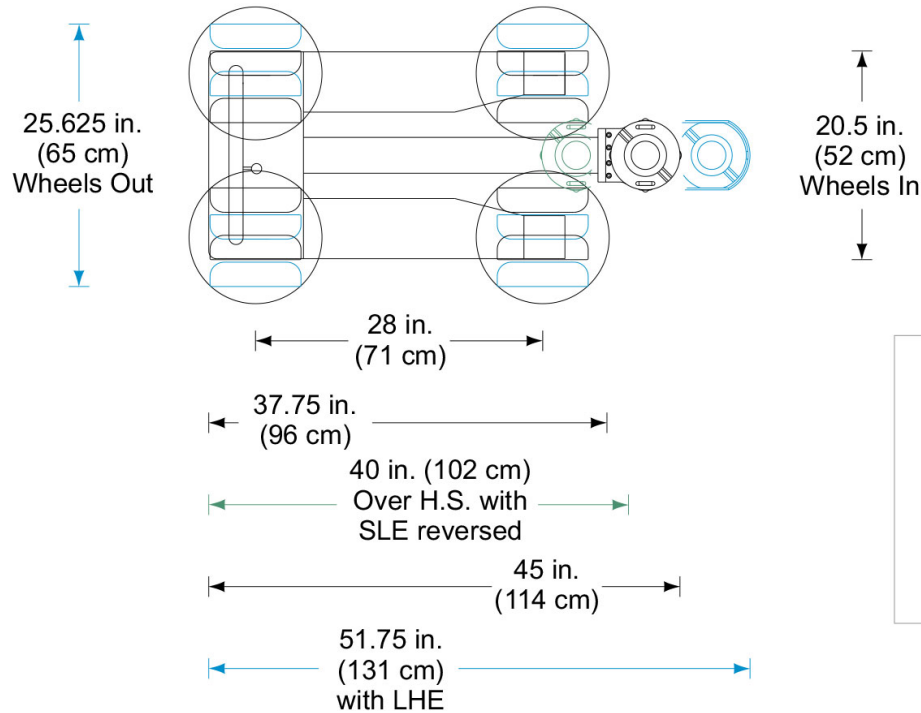
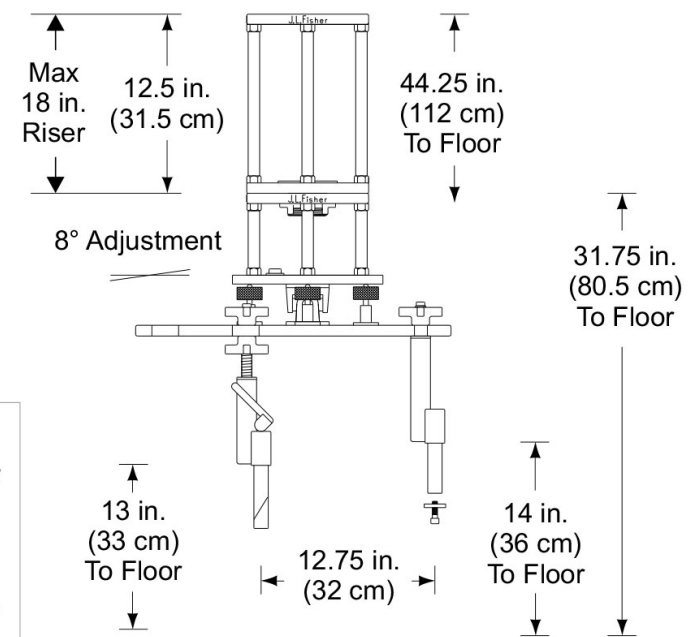


DIMENSIONS



Note: Due to variables such as adjustments and choice of risers, wheels, etc., these dimensions are approximate.

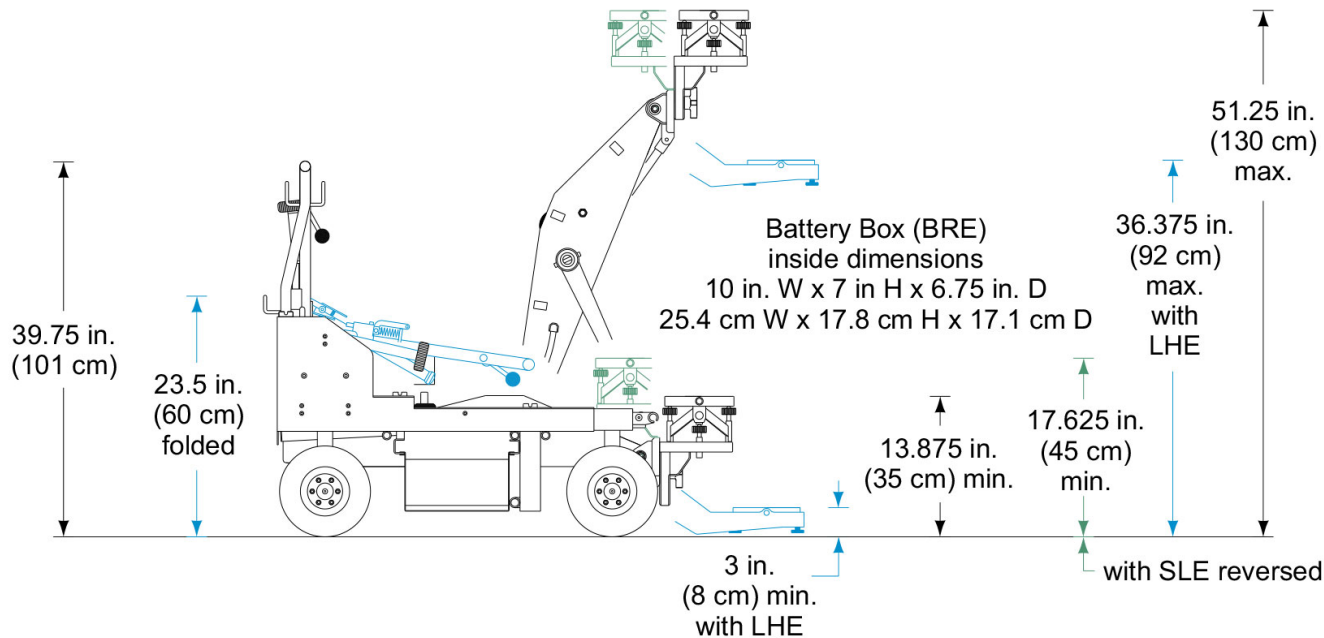


CENTER MOUNT (CM)

The Center Mount (CM), supports jib arms, lightweight camera booms and counterbalanced camera cranes. The Center Mount has thumbscrews for four-way leveling adjustment and a leveling indicator. Easily installed, the Center Mount has a standard Mitchell mount and comes with a heavy duty 12-inch Riser (RJ12).

The maximum gross load capacity of the Model 11 Dolly is 900 pounds (408 kg). Center Mount is not for supporting personnel or personnel carrying cranes.

MODEL 11 DOLLY



FOLDING CONTROLS