

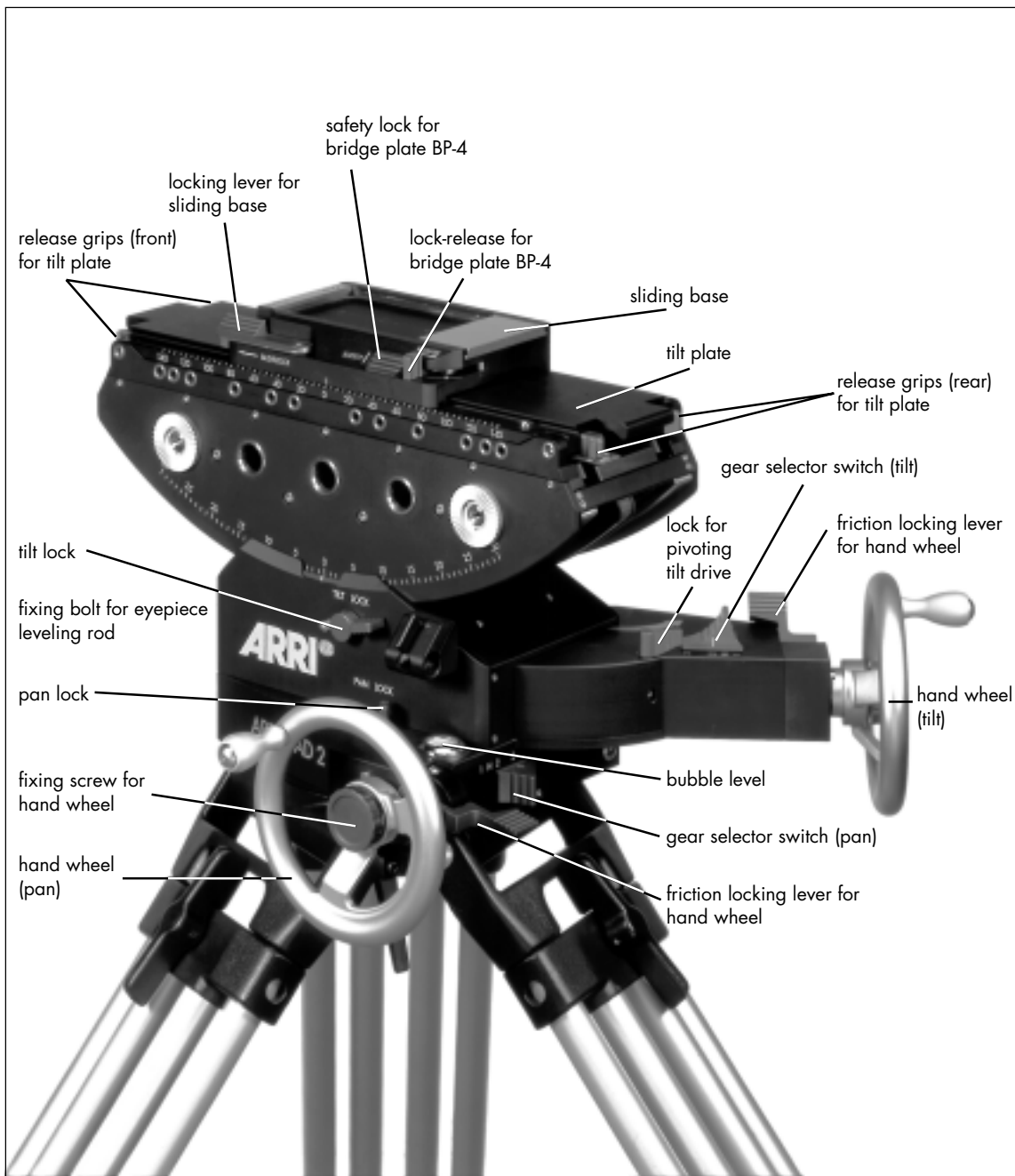
ARRI[®]

ARRIHEAD II

Instruction Manual
As of: Aug. 1999

ALL ARTWORK, PICTURES AND TEXTS ARE COVERED BY OUR COPYRIGHT. THEY MUST NOT BE COPIED FOR REPRODUCTION (E.G. ON CD-ROM DISKS OR INTERNET-SITES) OR USED IN THEIR ENTIRE FORM OR IN EXCERPTS WITHOUT OUR PREVIOUS WRITTEN AGREEMENT.

IF YOU ARE DOWNLOADING PDF-FILES FROM OUR INTERNET HOMEPAGE FOR YOUR PERSONAL USE, MAKE SURE TO CHECK FOR UPDATED VERSIONS. WE CANNOT TAKE ANY LIABILITY WHATSOEVER FOR DOWNLOADED FILES, AS TECHNICAL DATA ARE SUBJECT TO CHANGE WITHOUT NOTICE.



Contents

Safety Specifications	4
Introduction ARRIHEAD II	5
Mounting the ARRIHEAD II	6
Panning	12
Tilting	13
Adjustable Tilt Drive	14
Tilt Plate	15
Transport	19
Service and Maintenance	20
Technical Data	21
ARRI SERVICE	22

Safety Specifications



Danger of injury or equipment damage possible.

- The ARRIHEAD II has been thoroughly tested with regard to its safety and quality of workmanship.
- In order to ensure optimal performance, follow the operating instructions described herein.
- The general safety regulations as well as the service and maintenance procedures mentioned in this manual should be carefully followed.
- The ARRIHEAD II should be assembled only by qualified personnel, familiar with the procedures.
- Only original ARRI accessories and replacement parts should be used.
- To transport the ARRIHEAD II: set both gear selector switches in neutral and all friction levers and locks in open position.
- Remember to remove the hand wheels before setting the ARRIHEAD II directly on the floor or other surface without tripod base.
- The serial number of the ARRIHEAD II is located on the base.

Introduction ARRIHEAD II

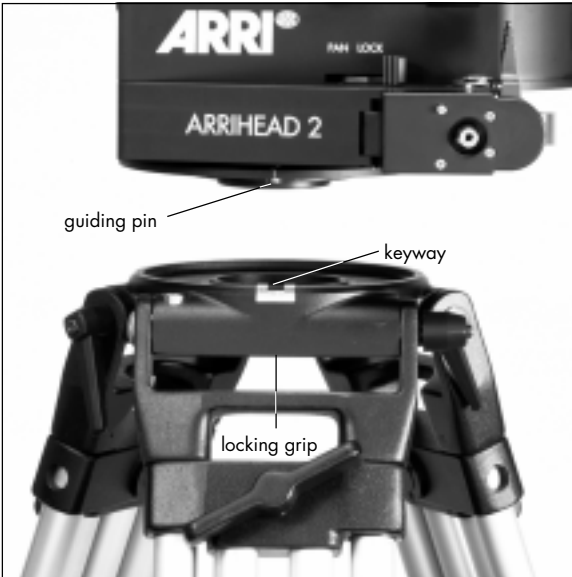
The ARRIHEAD II can be used with all tripods and camera dollies or camera support systems that employ a Mitchell flat base. All ARRIHEAD II control features are arranged to provide simple operation. Precision chain drives and worm gears ensure slack-free operation. The precision guides guarantee smooth tilting and panning.

The laterally adjustable tilt drive pivots out horizontally up to 38° counter-clockwise, and can be fixed at any intermediate position. As a result, the full tilt range of the ARRIHEAD II is maintained when filming with an ARRIFLEX 535 camera equipped with a 1000 ft (300 m) magazine. The tilt plate enables filming with extreme upward and downward tilt positions.

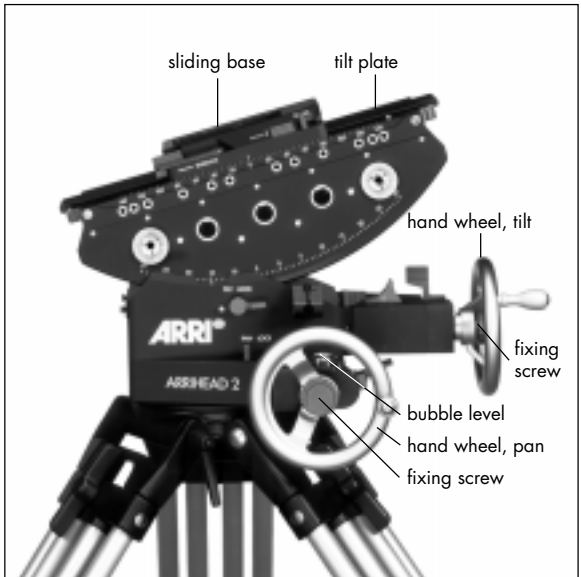


Mounting the ARRIHEAD II

- Place the ARRIHEAD II on the flat base so that the guiding pin ⇨ **photo** engages the keyway ⇨ **photo**.
- Secure the ARRIHEAD II with ARRIHEAD II locking grip ⇨ **photo**.



- Position the bubble in the center of the level
⇒ **photo**.
- When using a tripod, it is essential to employ a tripod spider or spreader.
- Set the hand wheels ⇒ **photo** onto the drive spindles and secure with the fixing screws ⇒ **photo**. The tapered guides should slide easily into each keyway.
- Push the sliding base ⇒ **photo** onto the tilt plate
⇒ **photo**. Center the sliding base to the "0" mark of the tilt plate and lock in position.



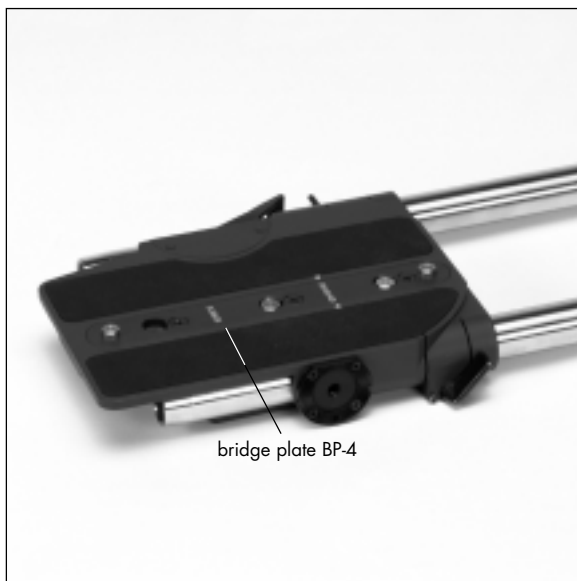
ARRIHEAD

- Fasten the bridge plate BP-4 to the camera bottom ⇨ **photo**.

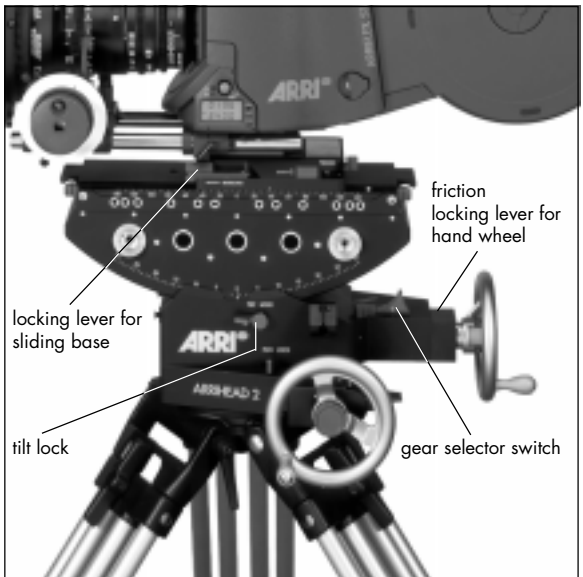


Ensure that all locks and levers are tight, before mounting the camera.

- Place the camera with bridge plate onto the ARRIHEAD II sliding base.
- Ensure that the bridge plate BP-4 is properly engaged and locked in the recess of the sliding base.
- Attach all camera accessories required for filming.

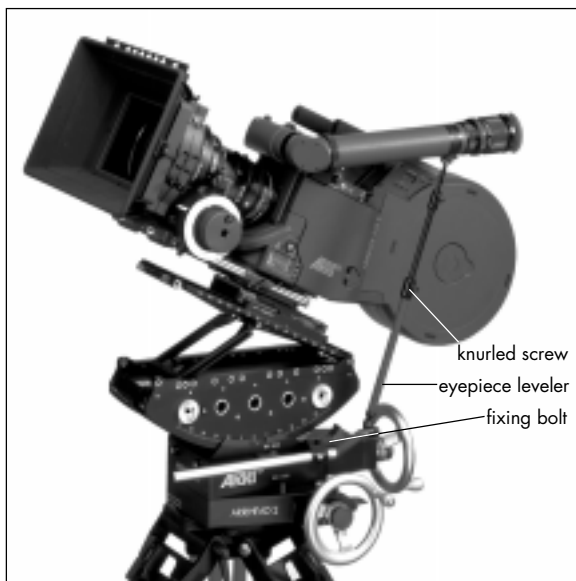


- Slide the gear selector switch ⇨ **photo** to "1" and loosen the friction lever ⇨ **photo**.
- To balance the camera, first loosen the left and right tilt locks ⇨ **photo** and the locking lever ⇨ **photo** of the sliding base. Shift the camera on the tilt plate, until the "0" mark on the lower cradle falls in line with the witness mark. Keep a firm hold on the camera throughout, then re-secure the three locking levers ⇨ **photo**.

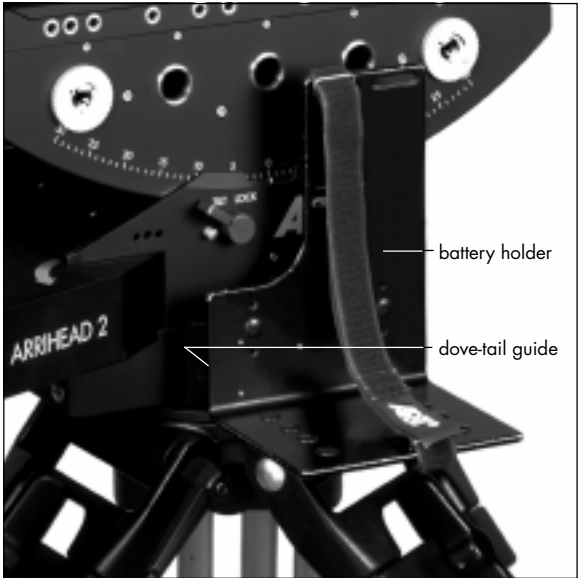


ARRIHEAD

- The viewfinder and eyepiece will remain stationary during tilting, as long as the eyepiece leveler ⇨ **photo** is fixed to both the threaded receptacle of the viewfinder extension (top) and the fixing bolt on the ARRIHEAD II ⇨ **photo**.
- Loosen the knurled screw ⇨ **photo**, adjust the viewfinder to eye-level and re-tighten the knurled screw.



- If required, slide the battery holder ⇨ **photo** into the dove-tail guide ⇨ **photo** on the right side of the ARRIHEAD II.

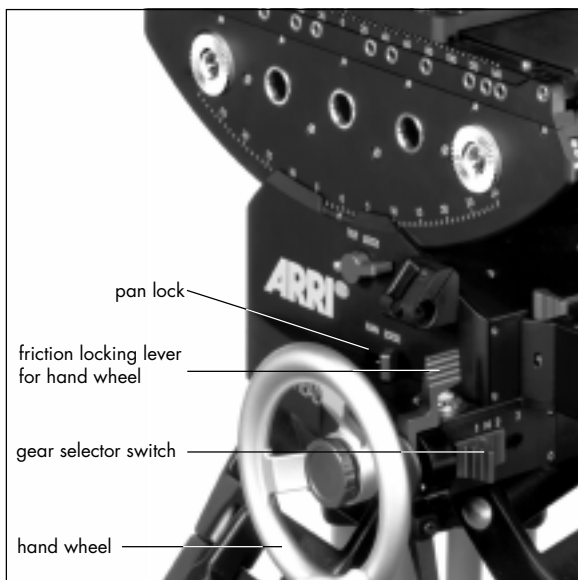


Panning

- Loosen the friction lever ⇨ **photo**.
- Slide the gear selector switch ⇨ **photo** to the desired position.
- Loosen the pan lock ⇨ **photo**.
- The ARRIHEAD II is now prepared for continuous 360° panning with use of the hand wheel ⇨ **photo**.



*In order to avoid damaging the jaws of the friction lever and lock ⇨ **photo**, it is essential to loosen both, before turning the hand wheel.*

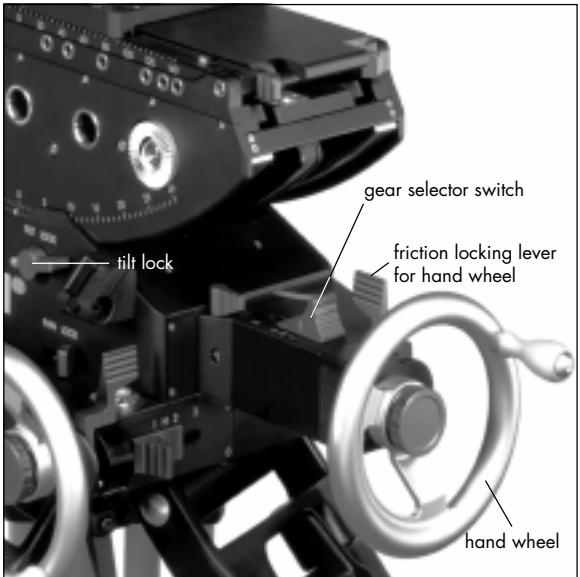


Tilting

- Loosen the friction lever ⇨ **photo**.
- Slide the gear selector switch ⇨ **photo** to the desired position.
- Loosen the two tilt locks ⇨ **photo**.
- The cradle of the ARRIHEAD II can now be tilted by turning the hand wheel ⇨ **photo**.



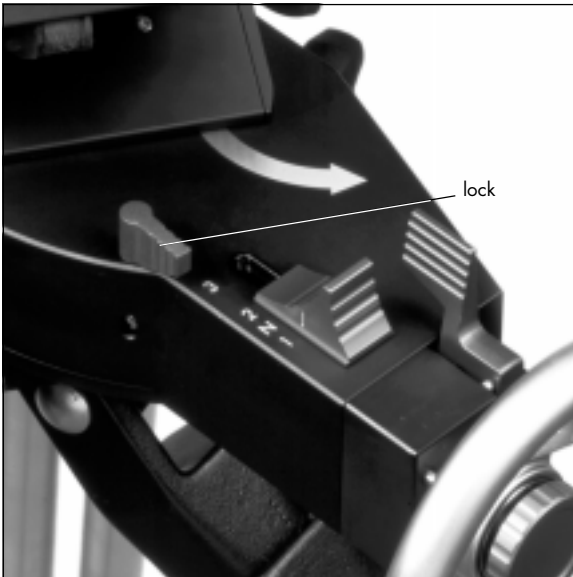
*In order to avoid damaging the locking jaws of the friction lever and lock ⇨ **photo**, it is essential to loosen both, before turning the hand wheel ⇨ **photo**.*



Adjustable Tilt Drive

The tilt drive of the cradle can be pivoted horizontally 38 degrees counter clockwise. This preserves the full tilting range of the ARRIHEAD II when using an ARRIFLEX 535 camera equipped with a 1000 ft (300 m) magazine.

- Loosen the lock ⇨ **photo**.
- Swing the tilt drive to the desired position and re-tighten the lock ⇨ **photo**.

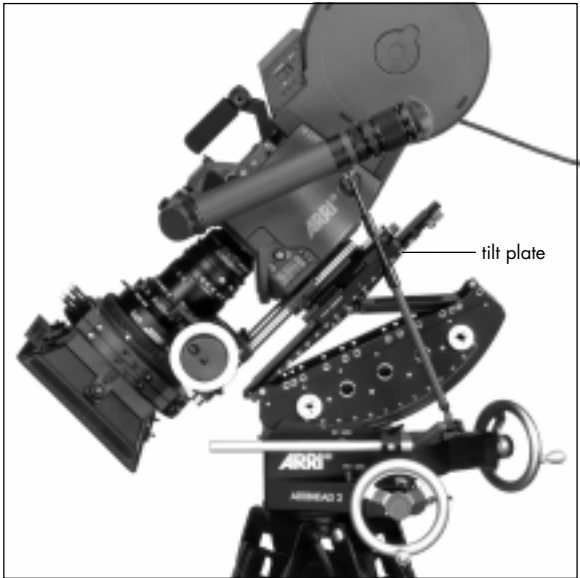


Tilt Plate

- The tilt plate ⇨ **photo** pivots open to allow filming with extreme upward or downward tilt positions (up to $90^\circ +$ or $-$). The tilt plate support is engaged in the corresponding bore holes.

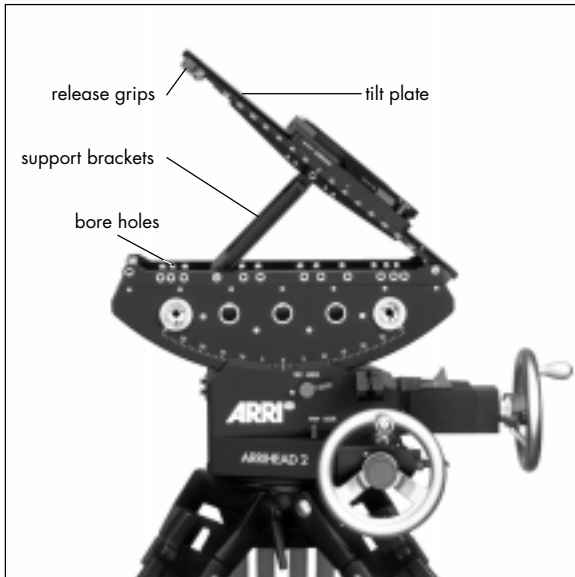


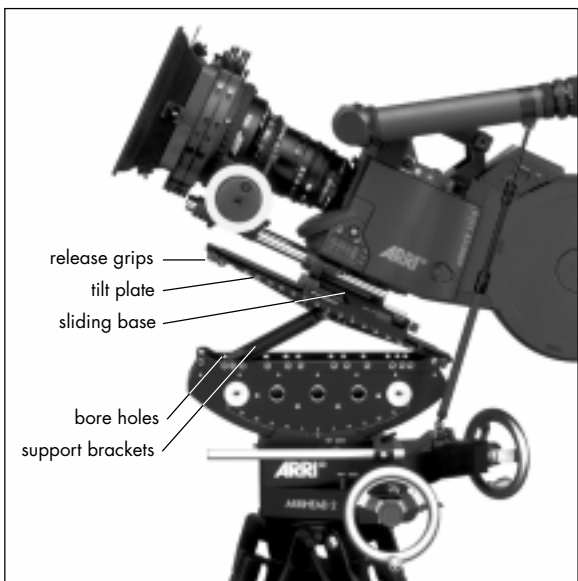
For safety, the camera should be removed while the tilt plate is adjusted.



Filming with extreme upward angles

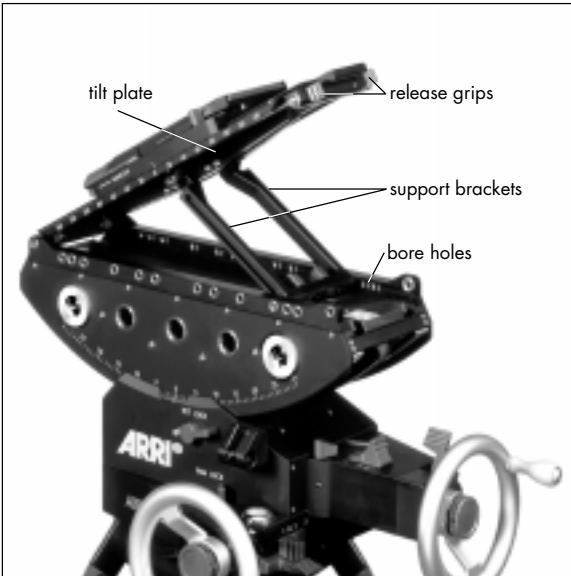
- Push both release grips and raise the tilt plate
⇒ **photo** as required.
- Ensure that the locking pins of the support brackets
⇒ **photo** are engaged exactly in the bore holes
⇒ **photo** of the upper plate.
- To allow easy mounting of the camera, set the tilt plate in a horizontal position.
- Then mount the camera on the sliding base
⇒ **photo** and lock in position.





Filming with extreme downward angles

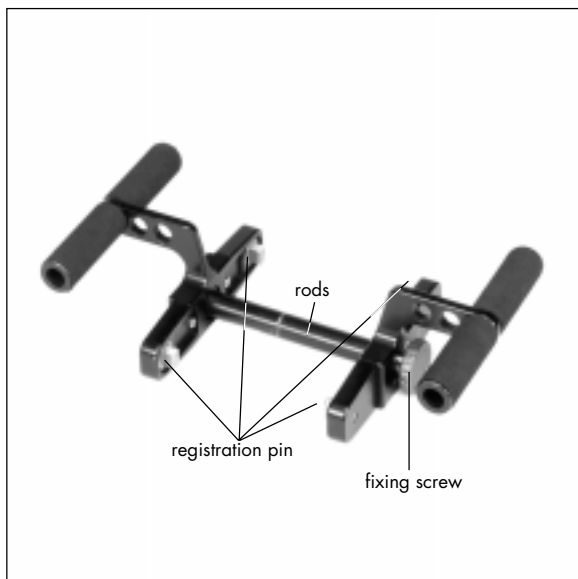
- Push both release grips ⇨ **photo** and raise the tilt plate as required.
- Ensure that the locking pins of the support brackets ⇨ **photo** are engaged exactly in the bore holes ⇨ **photo** of the upper plate
- To allow easy mounting of the camera, set the tilt plate in a horizontal position.
- Mount the camera on the sliding base and lock in position.



Transport

For transporting the ARRIHEAD II use the optionally available handles.

- Remove the fixing screw ⇨ **photo**.
- Separate the two halves of the handle.
- Plug the rods ⇨ **photo** into the center bore hole of the ARRIHEAD II.
- Ensure that the four registration pins ⇨ **photo** plug in to the other bore holes and retighten the fixing screws.



Service and Maintenance

For optimal performance it is essential that all ARRIHEAD II guides are kept clean. It is therefore important to occasionally check for possible dust and dirt. Dust in combination with humid air creates a coarse substance which can inhibit smooth operation.

The guides of the cradle are easily accessible and can be cleaned with a non-fraying cloth.

Both the flat base of the ARRIHEAD II and the tripod/dolly base should also be cleaned occasionally. Use no hard faced or coarse materials for cleaning.

Otherwise the ARRIHEAD II is maintenance free. It requires neither oiling nor greasing.

For ARRIHEAD II service see an authorised ARRI service center (see page 19).



The handwheels must be removed before setting the ARRIHEAD II directly down on any surface without a tripod base.

Remember to loosen all locks and set both pan and tilt gears in neutral (N) before transporting.

Technical Data

Tilting range:	+/- 30 degrees (without tilt plate) +/- 90 degrees (with tilt plate)
Gears:	1 - 2 - 3 + Neutral
Tilt drive:	adjust. 38 degrees horizontal
Panning range:	360 degrees
Gears:	1 - 2 - 3 + Neutral
Panning drive:	Fixed
Geared head:	Mitchell Standard
Base:	Flat Base
Weight complete with quick release bridge plate BP-4:	33 lbs. (15 kg)
Tilt/pan wheels:	5.5 lbs (2.5 kg)
Temperature range	- 4 to + 122 F degrees -20 to + 50 C degrees
Maximum load:	110 lbs: (50 kg)
Dimensions with handwheels: ... Inches:	H13 L22 W13
	Millimetres:
	H330 L566 W343

ARRI SERVICE

Germany Arnold & Richter Cine Technik
Türkenstraße 89
80799 München
phone: (089) 3809-0
fax: (089) 3809-1244
E-mail service:
KDenk@arri.de

USA ARRI USA
617, Route 303
Blauvelt, New York 10913
phone: (914) 353 14 00
fax: (914) 425 12 50
E-mail: arriflex@arri.com

ARRI USA
600 North Victory Blvd.
Burbank, California 91502
phone: (818) 841 70 70
fax: (818) 848 40 28
E-mail: arriflex@arri.com

GB ARRI (GB) Ltd.
The Movie House
1-3 Airlinks, Spitfire Way
Heston TW5 9 NR
phone: (0208) 848 88 81
fax: (0208) 561 13 12
E-mail: sales@arri-gb.com

- Italy ARRI ITALIA S.R.L.
Viale Edison 318
20099 Sesto S. Giovanni,
Milano
phone: (02) 26 22 71 75
fax: (02) 242 16 92
E-mail: info@arri.com
- ARRI ITALIA S.R.L.
Via Placanica, 97
00040 Morena (Roma)
phone: (06) 79 89 02 02
fax: (06) 79 89 02 39
- Canada ARRI Canada Ltd.
415 Horner Avenue, Unit 11
Etobicoke, Ontario
Canada M8W 4W3
phone: (416) 255-3335
fax: (416) 255-3399
E-mail: service@arrican.com

© ARRI/KVW

Technical data are subject to change without notice

Printed in Germany

Ident-Nr. for Instruction Manual:
K5.43555.0

available Languages
English



ARNOLD & RICHTER CINE TECHNIK

TÜRKENSTR. 89 • D-80799 MÜNCHEN • TEL. (089) 3809-0
FAX (089) 3809 - 1244 • <http://www.arri.de>